



Fitting your PME Pedal Extensions



- 1) Before starting your vehicle locate and slide pedal extensions into their mounting points whilst pulling the security pin in the direction of the red arrow (Inset I).
- 2) Ensure that locating pins '**A & C**' sit within their locating slots '**B & D**' as illustrated in inset II.
- 3) Tighten knobs '**E & F**' firmly by hand in clockwise motion.
- 5) Confirm extension pedals are secure before operating your vehicle.

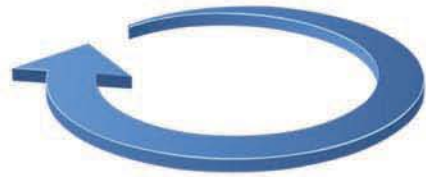
Removal is reverse of fitting procedure.

NOTE: Only loosen adjusting knobs '**E & F**' enough so that the pedal extensions slide out. It is not necessary to completely remove adjusting knobs.

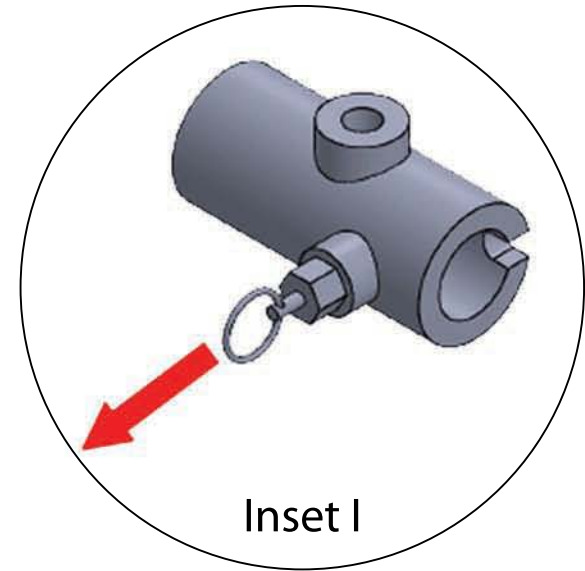
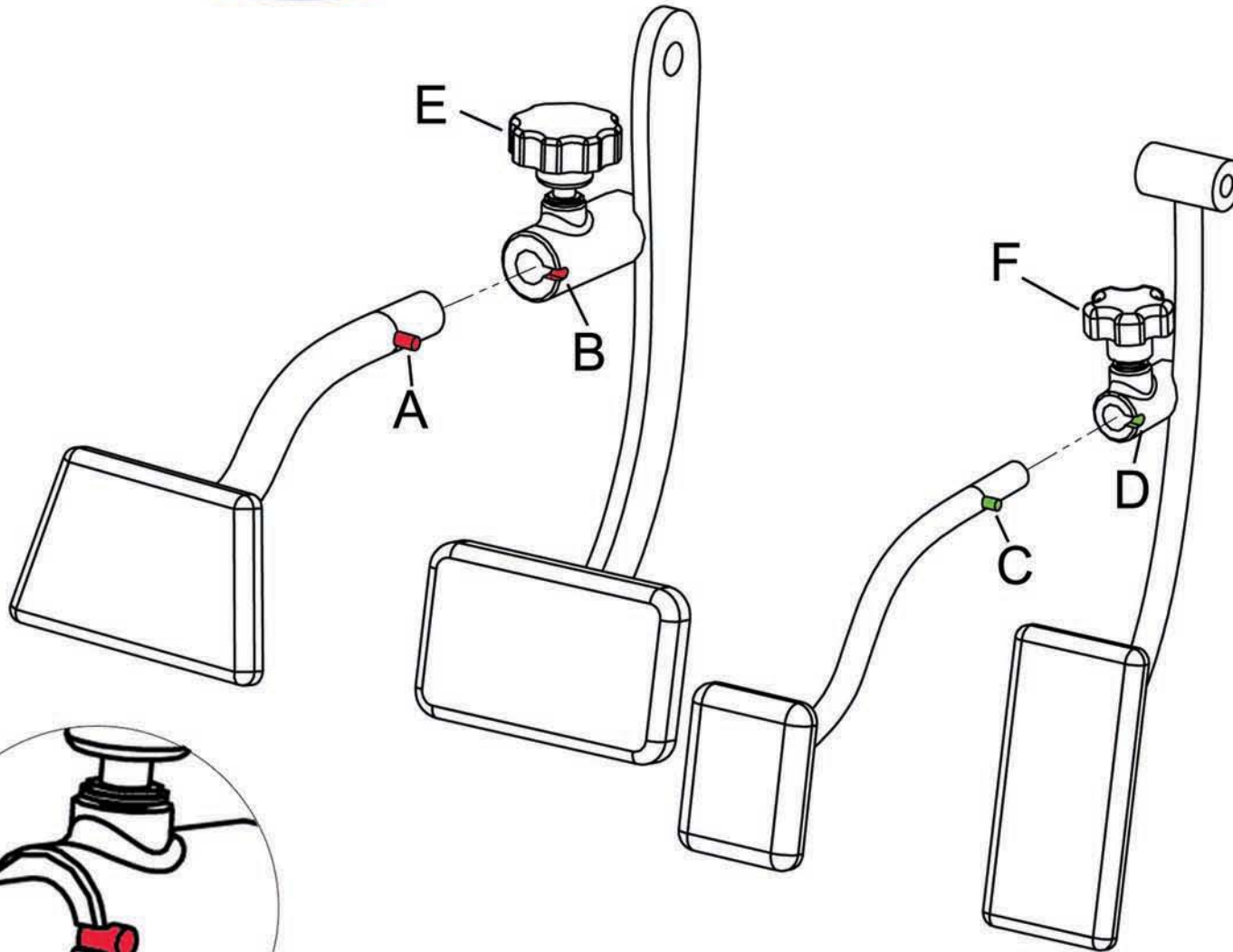
PME can not be held responsible for any damages or injury caused by incorrect use of the PME pedal extensions. Please ensure your license is endorsed for use of this adaptive device. If you are unsure contact your local motor authority.

It is imperative that during routine maintenance or whenever your vehicle is operated by a driver who is not endorsed to use this adaptive technology; that pedal extensions are removed and the vehicle is returned to its standard configuration.

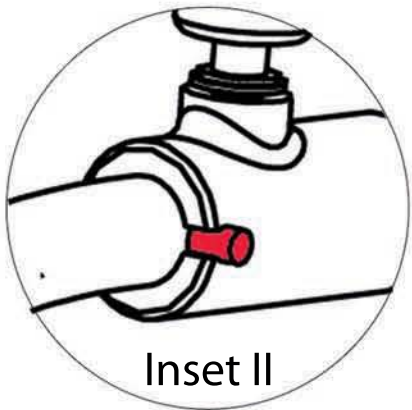
Problem Management Engineering Pty Ltd, 2017
(02) 9482 2808
6 Kookaburra Road, Hornsby Heights NSW 2077
Info@pmeautoconversions.com.au
pmeautoconversions.com.au
MVRL 30140



Tighten



Inset I



Inset II

